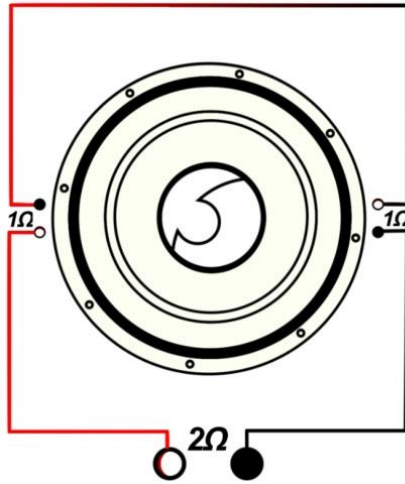
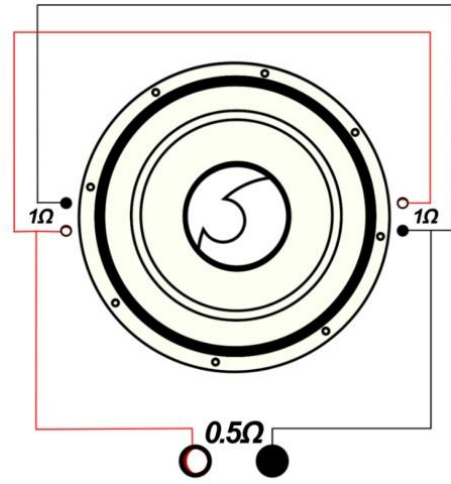




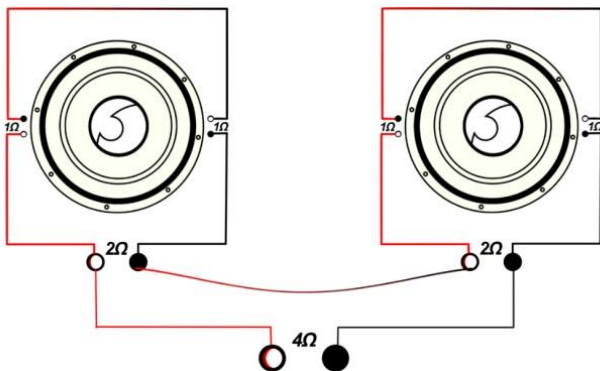
1 Woofer Dual Coil 1Ω Series



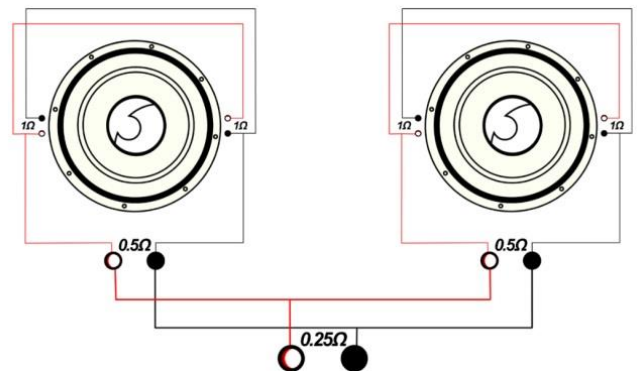
1 Woofer Dual Coil 1Ω Parallel



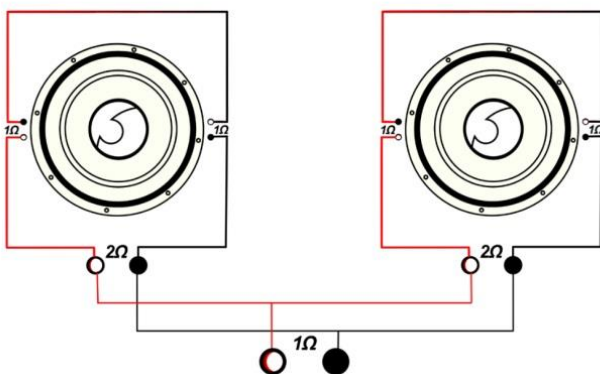
2 Woofers Dual Coil 1Ω Series Series



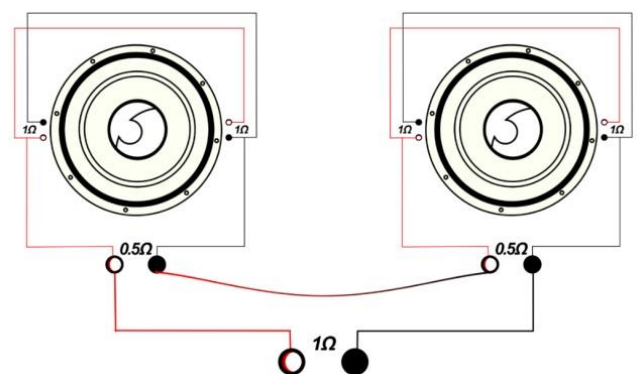
2 Woofers Dual Coil 1Ω Parallel Parallel



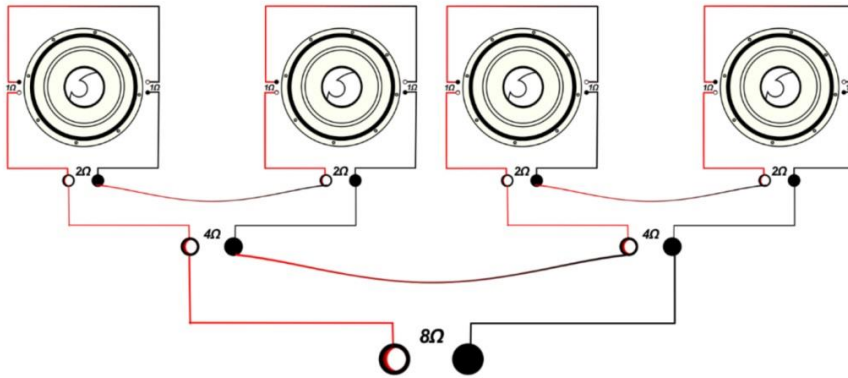
2 Woofers Dual Coil 1Ω Series Parallel



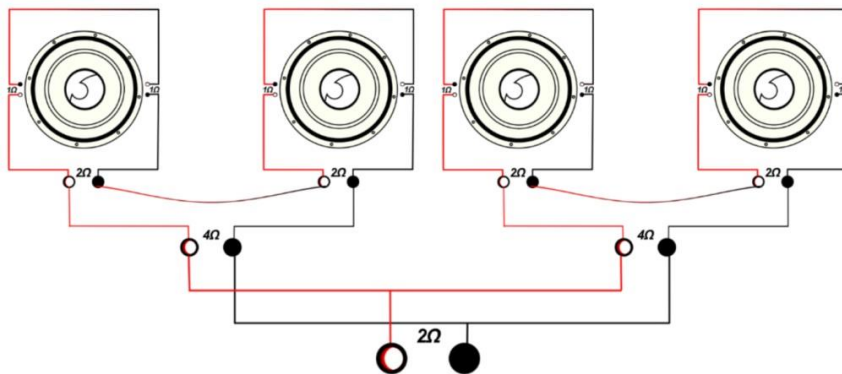
2 Woofers Dual Coil 1Ω Parallel Series



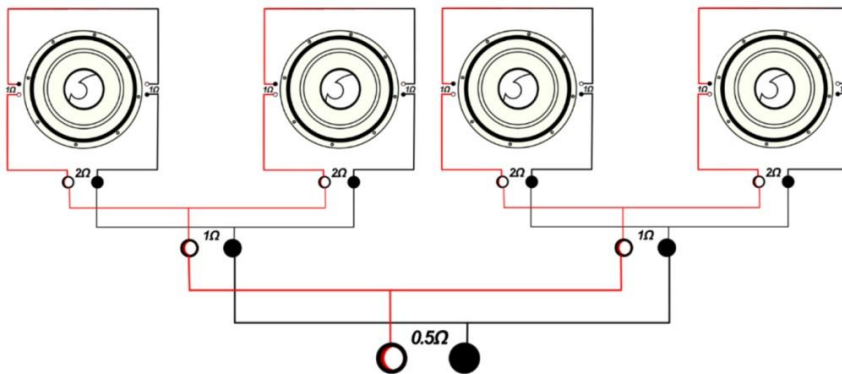
4 Woofers Dual Coil 1Ω Series Series Series



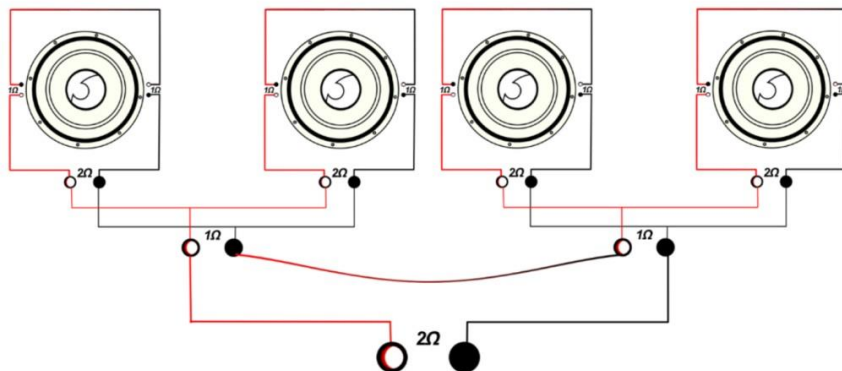
4 Woofers Dual Coil 1Ω Series Series Parallel



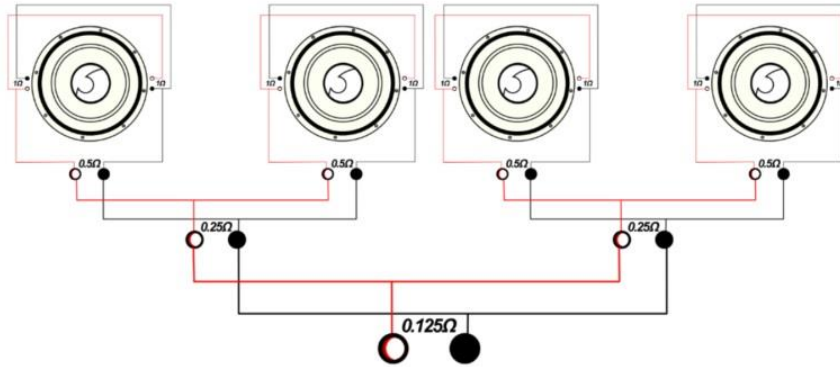
4 Woofers Dual Coil 1Ω Series Parallel Parallel



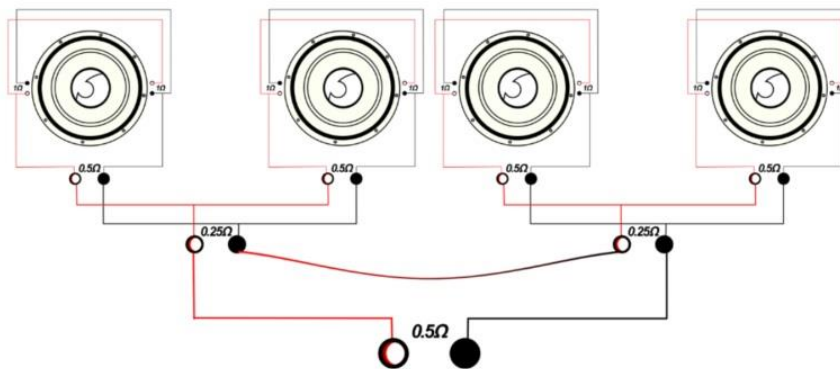
4 Woofers Dual Coil 1Ω Series Parallel Series



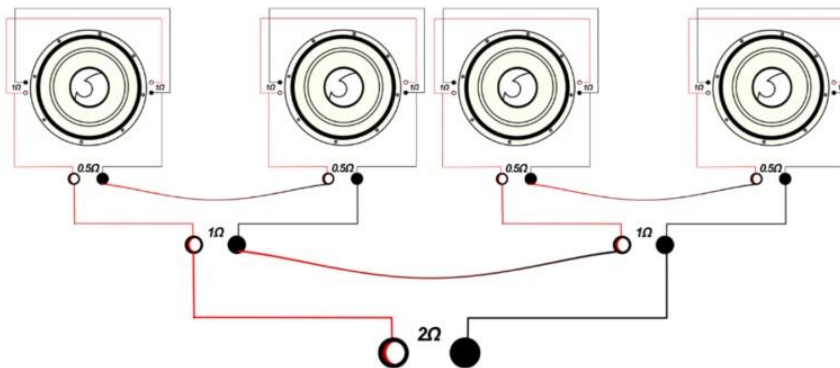
4 Woofers Dual Coil 1Ω Parallel Parallel Parallel



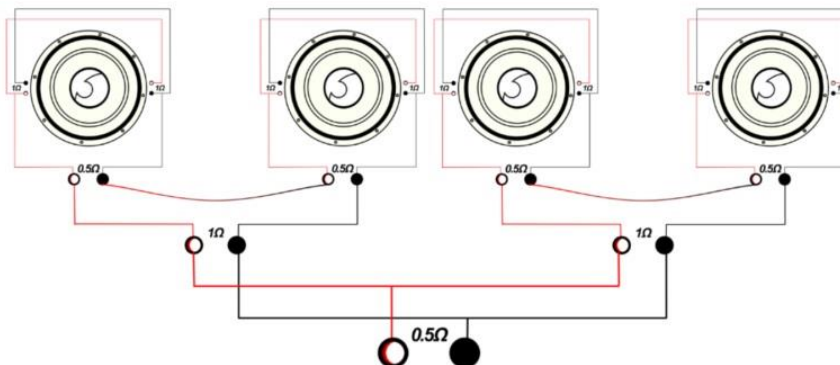
4 Woofers Dual Coil 1Ω Parallel Parallel Series



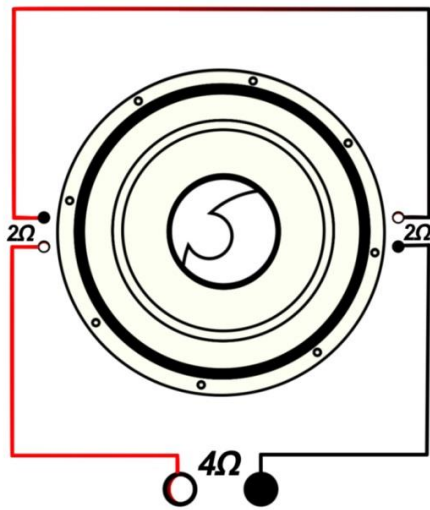
4 Woofers Dual Coil 1Ω Parallel Series Series



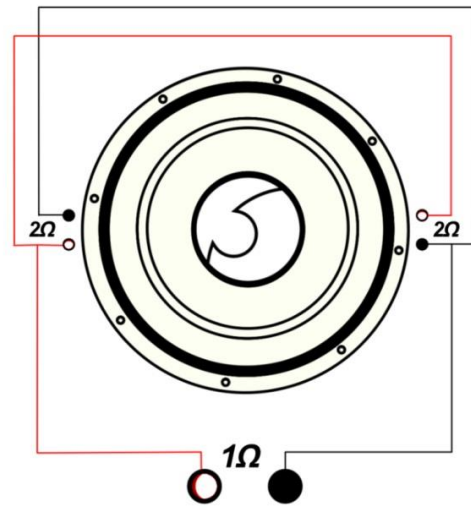
4 Woofers Dual Coil 1Ω Parallel Series Parallel



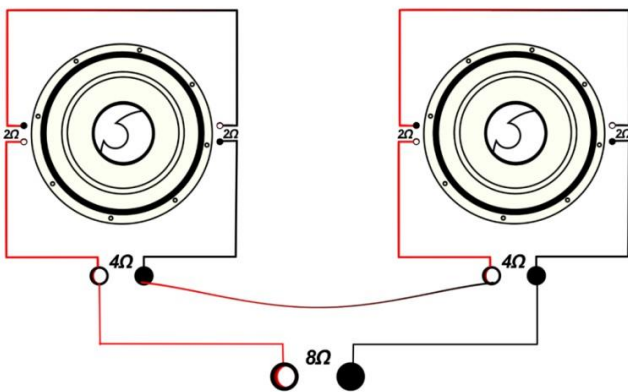
1 Woofer Dual Coil 2Ω Series



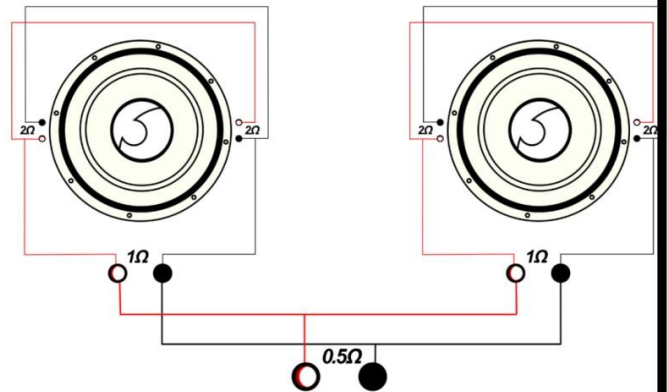
1 Woofer Dual Coil 2Ω Parallel



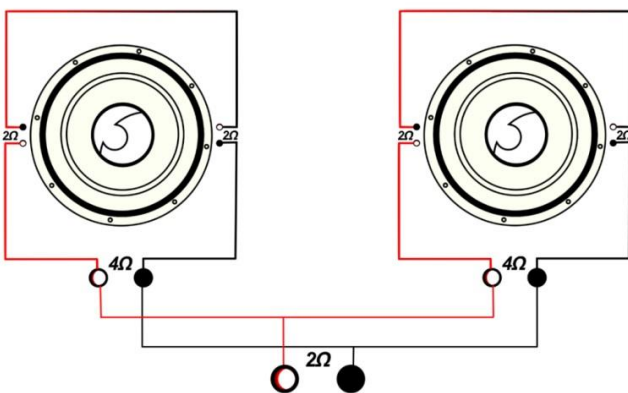
2 Woofers Dual Coil 2Ω Series Series



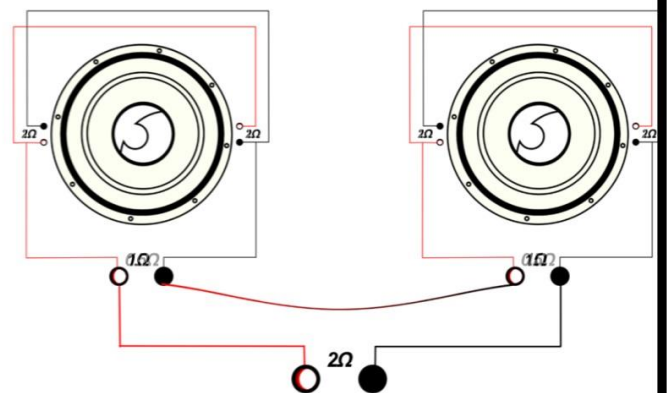
2 Woofers Dual Coil 2Ω Parallel Parallel



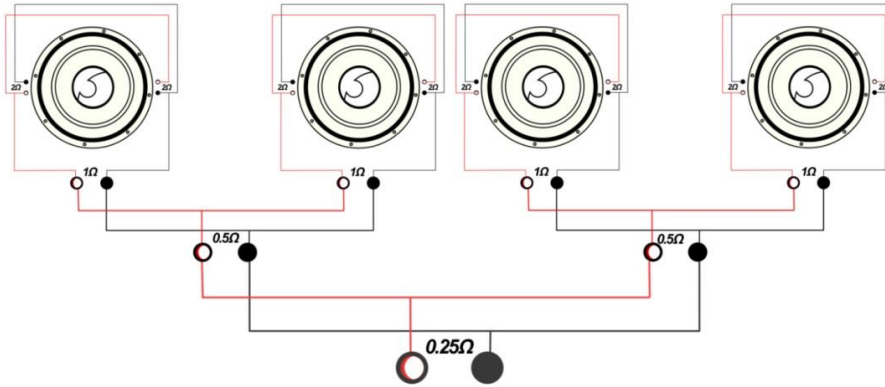
2 Woofers Dual Coil 2Ω Series Parallel



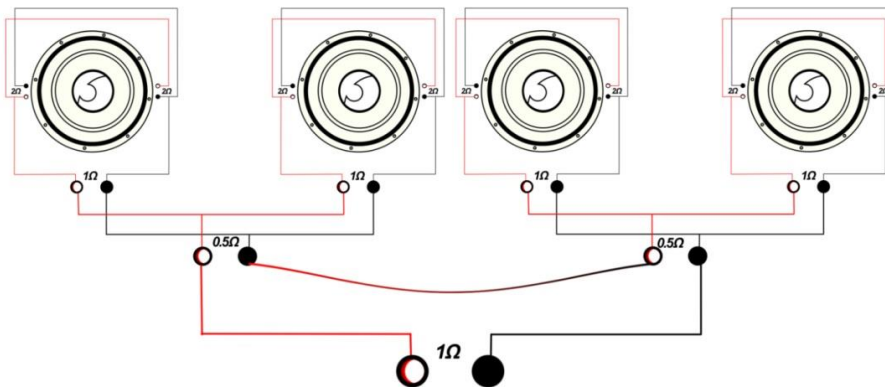
2 Woofers Dual Coil 2Ω Parallel Series



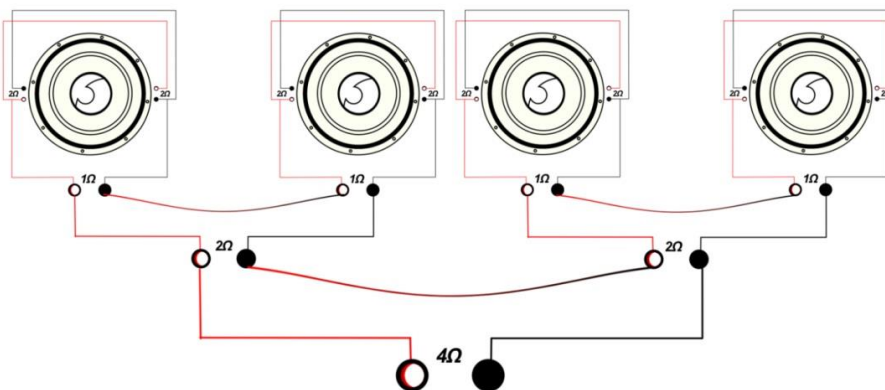
4 Woofers Dual Coil 2Ω Parallel Parallel Parallel



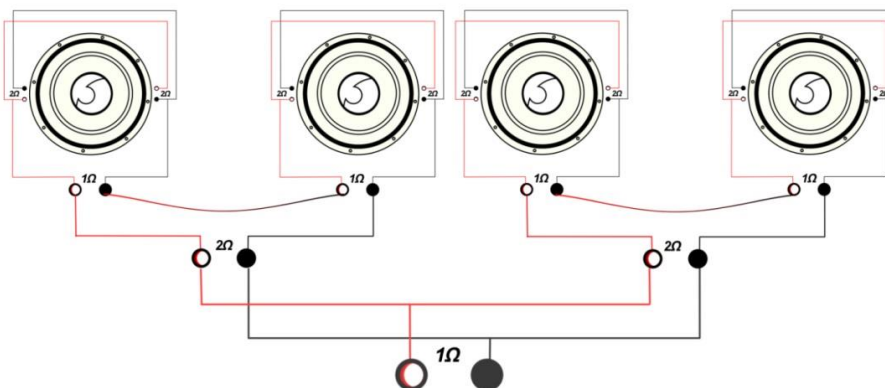
4 Woofers Dual Coil 2Ω Parallel Parallel Series



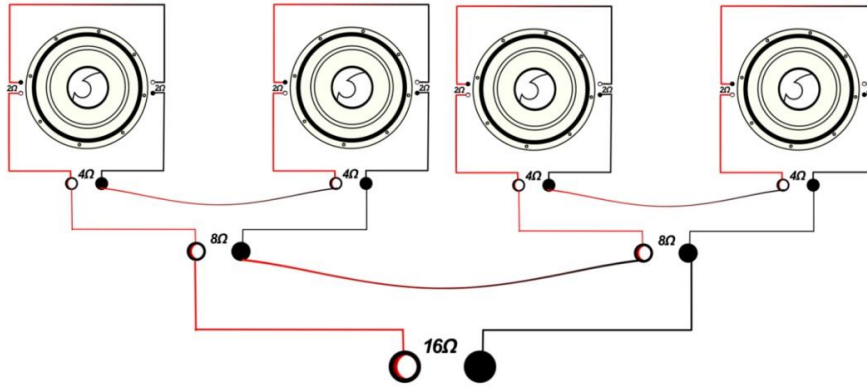
4 Woofers Dual Coil 2Ω Parallel Series Series



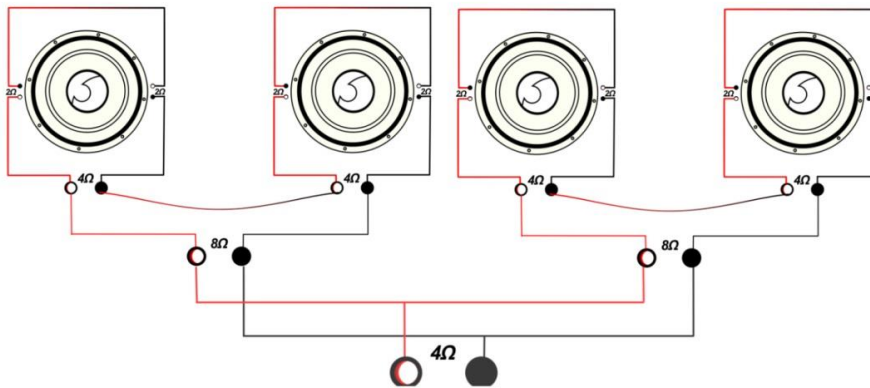
4 Woofers Dual Coil 2Ω Parallel Series Parallel



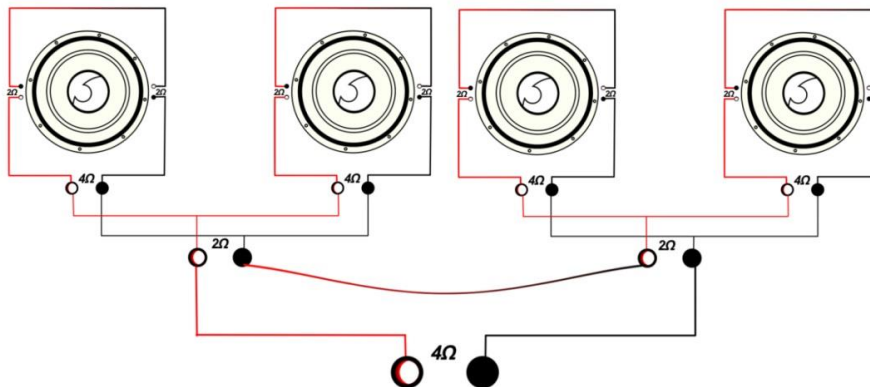
4 Woofers Dual Coil 2Ω Series Series Series



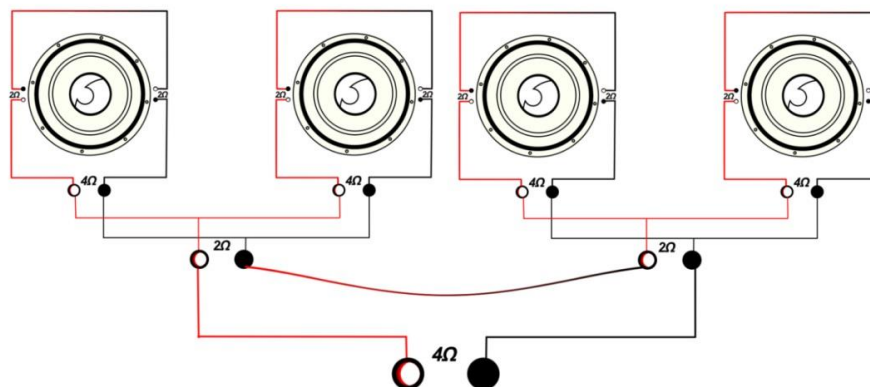
4 Woofers Dual Coil 2Ω Series Series Parallel



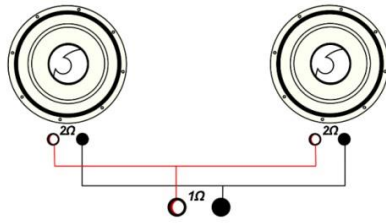
4 Woofers Dual Coil 2Ω Series Parallel Parallel



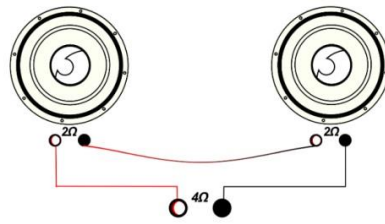
4 Woofers Dual Coil 2Ω Series Parallel Series



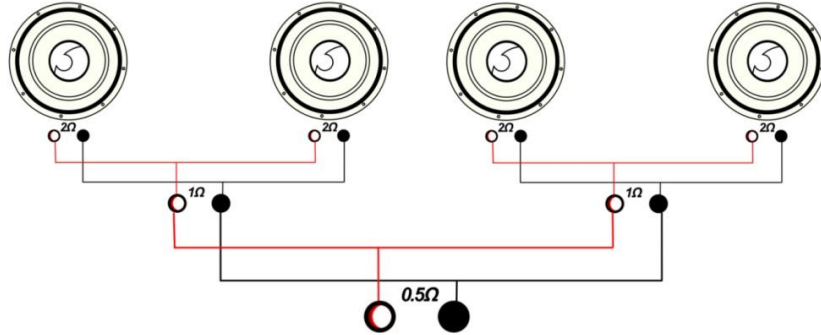
2 Woofers Single Coil 2Ω Parallel



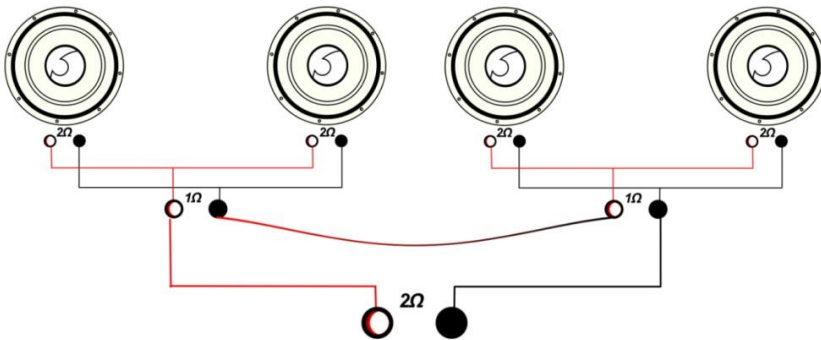
2 Woofers Single Coil 2Ω Series



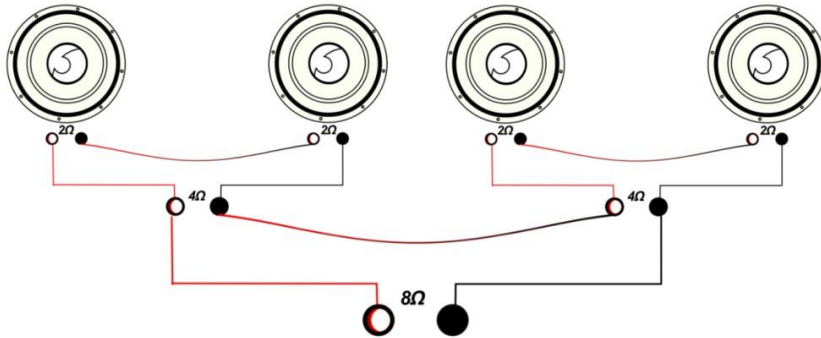
4 Woofers Single Coil 2Ω Parallel Parallel



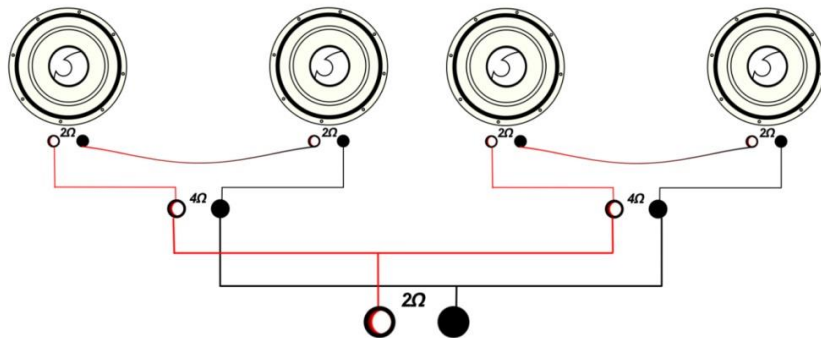
4 Woofers Single Coil 2Ω Parallel Series



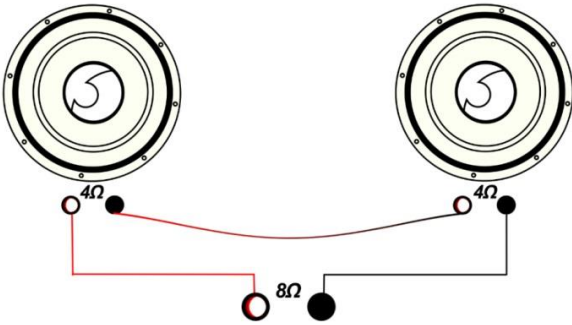
4 Woofers Single Coil 2Ω Series Series



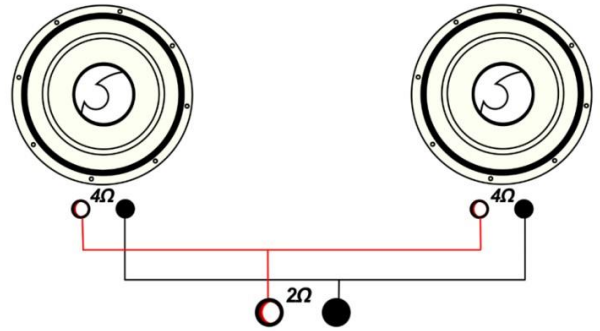
4 Woofers Single Coil 2Ω Series Parallel



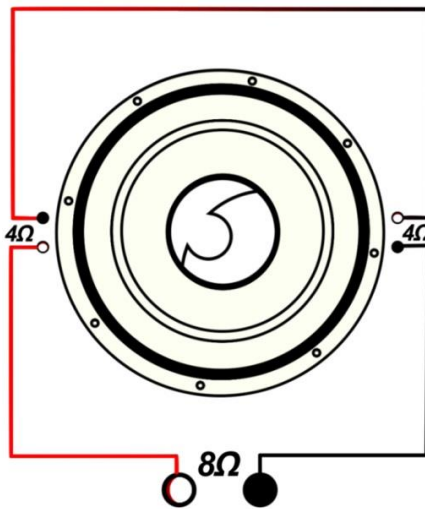
2 Woofers Single Coil 4Ω Series



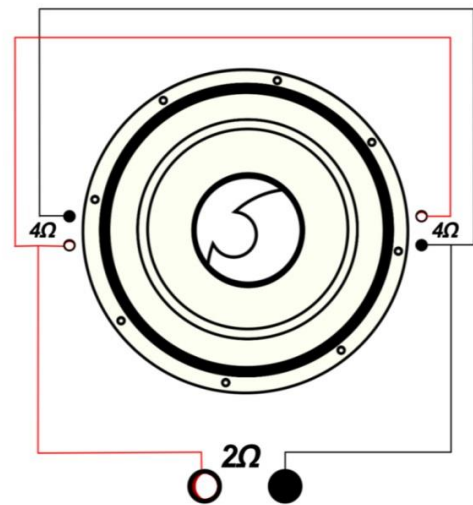
2 Woofers Single Coil 4Ω Parallel



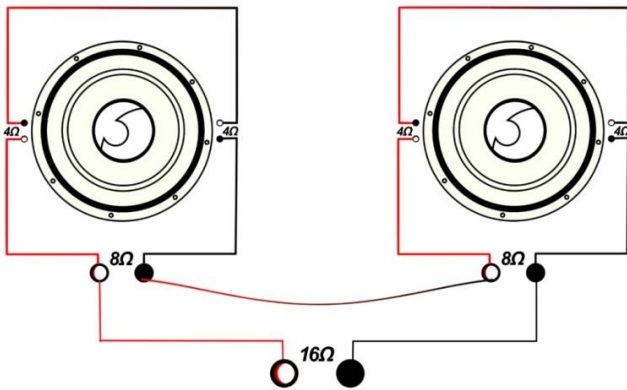
1 Woofer Dual Coil 4Ω Series



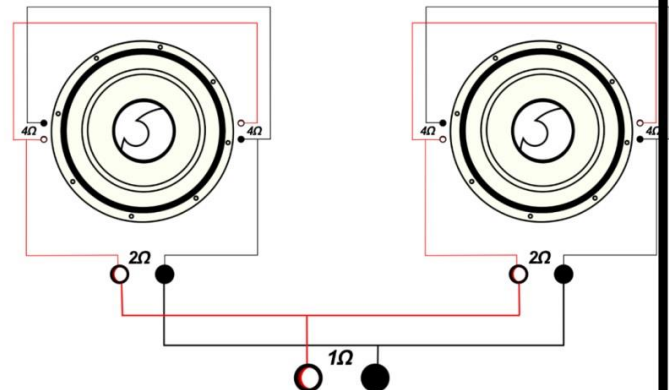
1 Woofer Dual Coil 4Ω Parallel



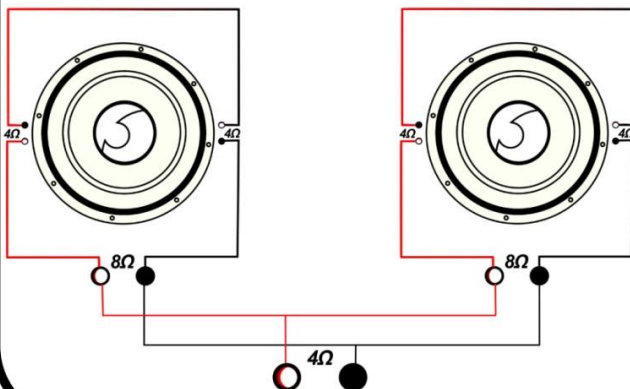
2 Woofers Dual Coil 4Ω Series Series



2 Woofers Dual Coil 4Ω Parallel Parallel



2 Woofers Dual Coil 4Ω Series Parallel



2 Woofers Dual Coil 4Ω Parallel Series

